

# Lift shaft ventilation

Weather protection grille with JZ-Lift damper for wall installation and with sliding connection pipes for wall installation

Type WSL-JZ-(LL)-AL-Lift



**TROX<sup>®</sup> TECHNIK**



The art of handling air

TROX HESCO Schweiz AG  
Walderstrasse 125  
Postfach 455  
CH-8630 Rüti ZH

Tel. +41 55 250 71 11  
Fax +41 55 250 73 10  
[www.troxhesco.ch](http://www.troxhesco.ch)  
[info@troxhesco.ch](mailto:info@troxhesco.ch)

# Contents · Description · Electrical connection · Safety instructions

## Contents

|  |   |
|--|---|
| Description · Electrical connection ·  |   |
| Safety instructions _____              | 2 |
| Dimensions · Installation _____        | 3 |
| Connection diagram · Order codes _____ | 4 |

## Description

Weather protection grille with built-in JZ damper  
Type WSL-JZ-(LL)-AL-Lift, consisting of a weather protection grille made of natural aluminium (WSL) and a louvre damper built in at the rear, made of aluminium (JZ-AL), with 230V (24V) spring return actuator and room thermostat with two switching points (25°C/35°C).

### Options:

- Louvre damper, type JZ-LL-AL (airtight version according to EN1751/class 3) with 230V (24V) spring return actuator and room thermostat with two switching points (25°C/35°C)
- Insulated version of the louvre damper and weather protection grill to prevent condensation water (frame and blades insulated with 13mm EPDM)
- Weather protection grill powder coated according to RAL as required

### Sliding connection pipes type SIS

Two-part sliding connection pipes made of galvanised sheet steel.  
For installation on an external wall, in insulation (185 to 320 mm).

### Electrical connection

| Voltage  | Type          |
|----------|---------------|
| AC/DC24V | LF24-ST (4Nm) |
| AC 230 V | LF230 (4Nm)   |

### Airtight damper:

|          |                |
|----------|----------------|
| AC/DC24V | SF24-ST (15Nm) |
| AC 230 V | SF230 (15Nm)   |

### Note:

The electrical supply may be installed in the same protection pipe as the shaft lighting.

## Safety instructions

### CAUTION!

**Risk of injury from sharp edges and corners, ridges and thin-walled sheet metal parts!**

- Proceed carefully with all work.
- Wear protective gloves, safety shoes and protective helmet.

### WARNING!

**Danger from incorrect use. Misuse of the product may lead to dangerous situations.**

The product must not be used:

- in areas subject to explosion hazards;
- in the open air without sufficient protection against weather effects;
- in atmospheres that may have a damaging and/or corrosive effect on the product due to scheduled or unscheduled chemical reactions.

### DANGER!

**Electric shock when touching live parts. Electrical equipment is under dangerous electrical voltage. Non-compliance may lead to death, serious physical harm or material damage!**

- Only electrical specialists may work on electrical components.
- Switch off the power supply voltage prior to electrical work.

### CAUTION!

**Damage to the product due to improper handling. Check the device for damage and contamination prior to operation!**

Improper handling may lead to considerable material damage of the product.

- Do not use any acid or abrasive cleaning agents.
- Adhesives from sticky tape may lead to colour damage.
- Excessive moisture may lead to colour damage and corrosion.
- Use only cleaning agents, greases and oils that are expressly specified.

### WARNING!

**Risk of injury due to insufficient qualifications!**

Improper handling may lead to considerable personal harm or material damage.

- All activities may only be carried out by suitably qualified staff.

## Dimensions

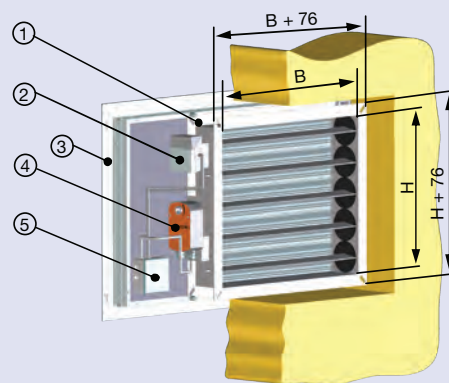
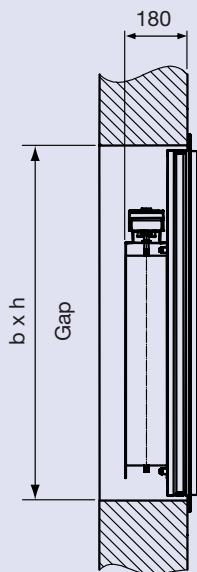
| Type                | Dimensions (bxh in mm) | Free profile of weather protection grille (in m <sup>2</sup> ) | For lift shaft profile (in m <sup>2</sup> ) |
|---------------------|------------------------|--|---|
| WSL-JZ-(LL)-AL-.... | 600x300                | 0,036  | Up to 3,0                                   |
| WSL-JZ-(LL)-AL-.... | 800x500                | 0,121  | All sizes                                   |
| WSL-JZ-(LL)-AL-.... | 1000x600               | 0,232  | All sizes                                   |
| WSL-JZ-(LL)-AL-.... | 900x500                | 0,153  | All sizes                                   |
| WSL-JZ-(LL)-AL-.... | 1000x500               | 0,186  | All sizes                                   |

| Type    | Dimensions (bxh in mm) |
|---------|------------------------|
| SIS/bxh | 600x300                |
| SIS/bxh | 800x500                |
| SIS/bxh | 1000x600               |
| SIS/bxh | 900x500                |
| SIS/bxh | 1000x500               |

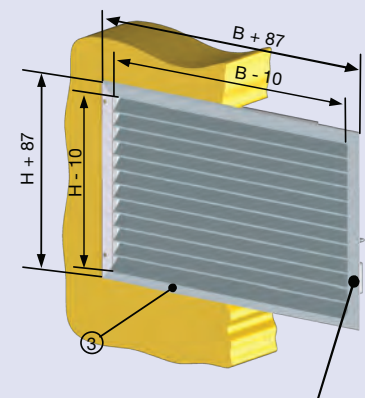
Other dimensions upon request

### Installation of WSL

The entire unit is pushed into the aperture from outside.  
Application: for solid walls from 185mm wall strength.  
The unit does not intrude into the shaft



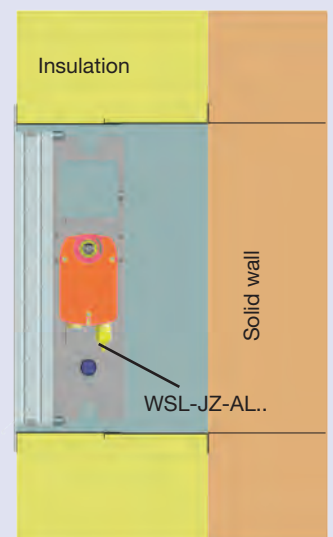
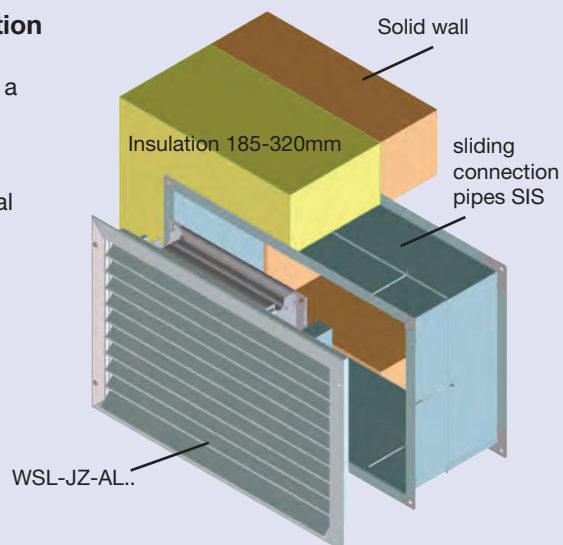
- 1 Louvre damper; operation up to 70° C
- 2 Room thermostat
- 3 Weather protection grille
- 4 Spring return actuator, currentless and open (standard = 230V)
- 5 Options:
  - Wired with box (box not mounted)
  - Insulated, 13 mm EPDM
  - Airtight, EN 1751, class 3
  - Spring return actuator 24V



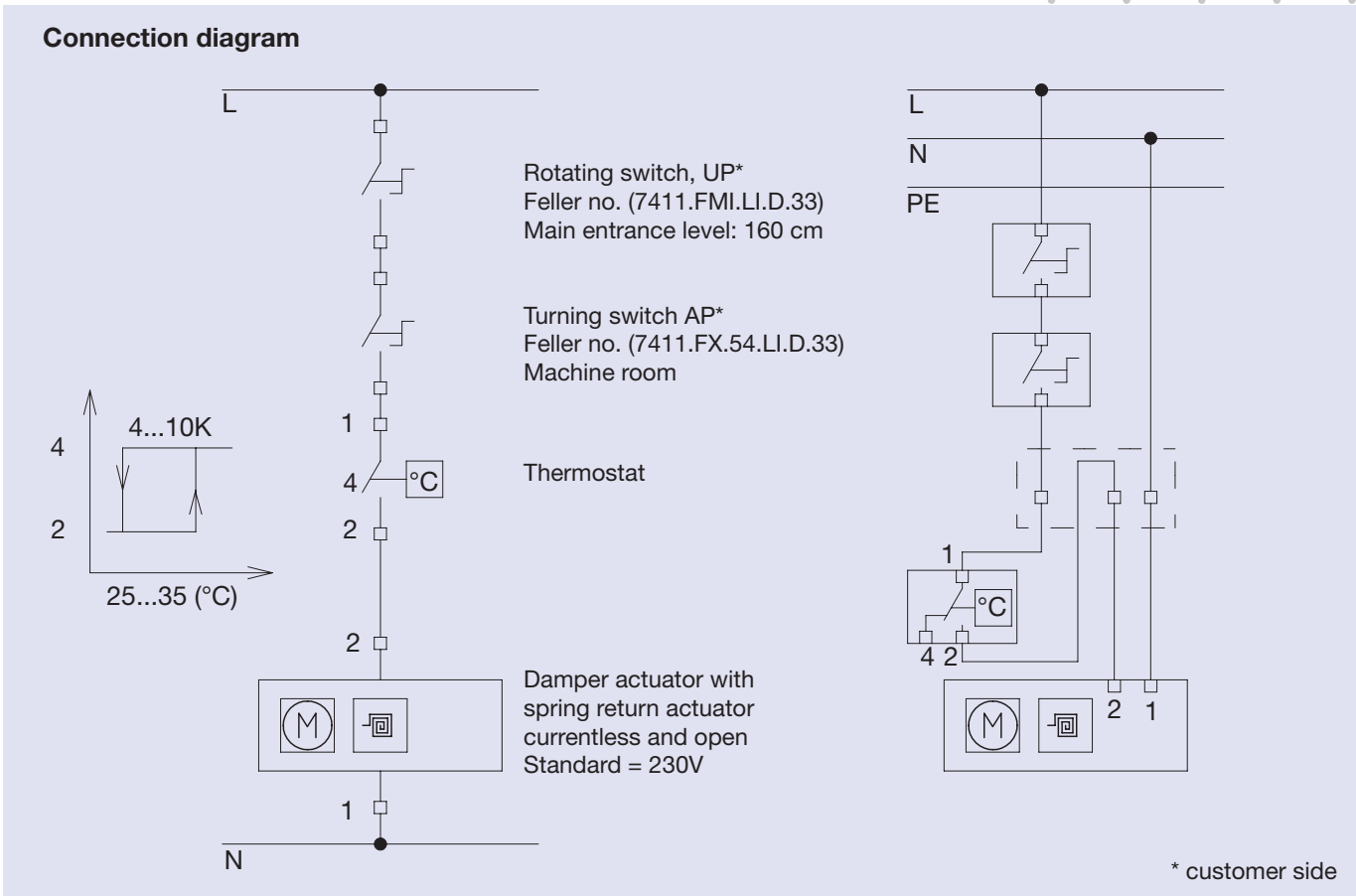
Steel plug and screws on-site

### Installation of sliding connection pipes

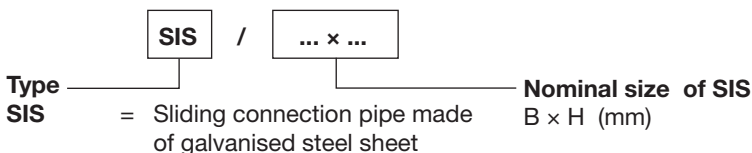
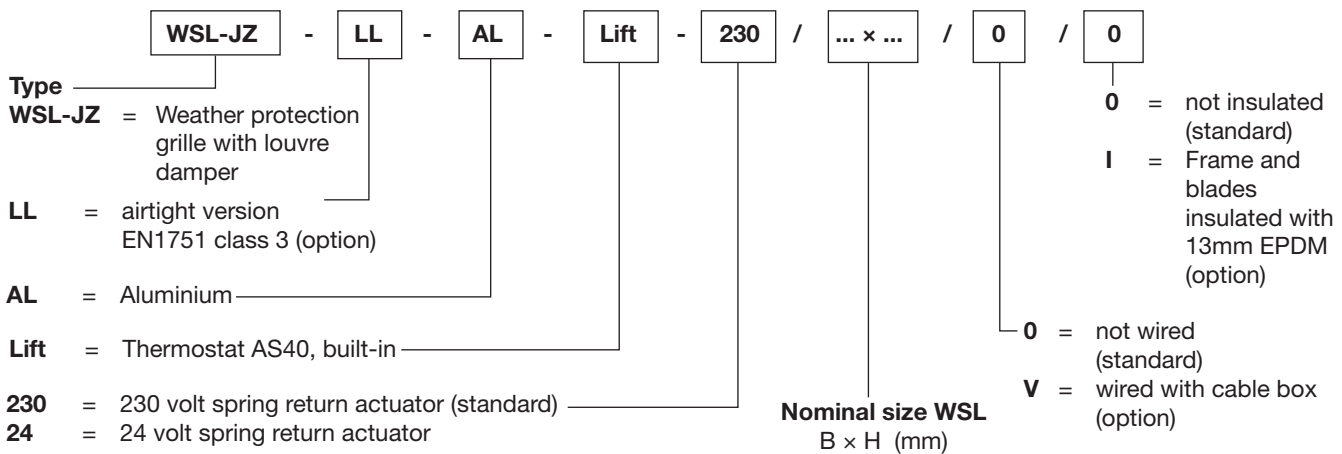
Installation of the pipes outside on a solid wall.  
Adjustable distance: 185mm to 320mm, infinitely variable.  
Suitable for solid walls with external insulation.



# Connection diagram · Order details



## Order codes



**Note:** SIS and WSL-JZ... are the same nominal size!

## Order example weather protection grille

2 units WSL-JZ-AL-Lift-230 / 800 x 500 / V / I

## Order example sliding connection pipes

2 units SIS / 800 x 500