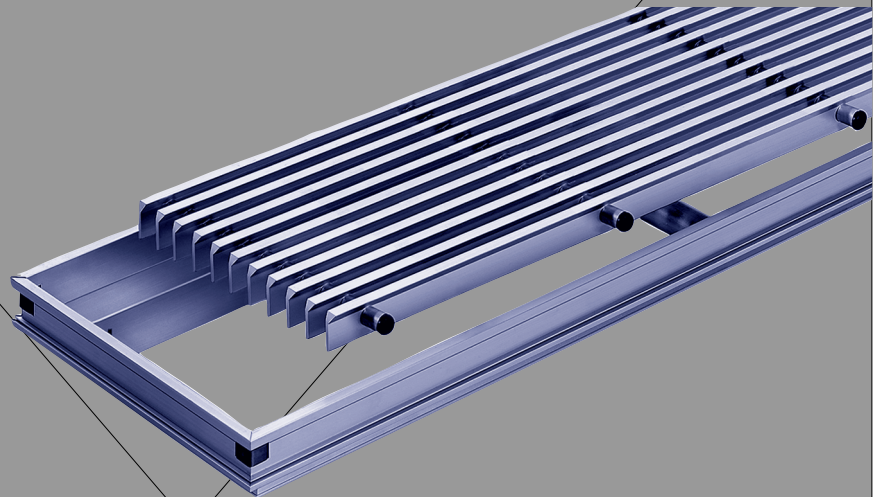


Installation manual

Frame type MR - BGU for floor grilles



TROX[®] TECHNIK



The art of handling air

TROX HESCO Schweiz AG
Walderstrasse 125
Postfach 455
CH-8630 Rüti ZH

Tel. +41 55 250 71 11
Fax +41 55 250 73 10
www.troxhesco.ch
info@troxhesco.ch

Floor grille MR-BGU installation manual

Contents	
1. General information	2
2. Safety and correct use	3
General safety notes	3
Standards and guidelines	4
Repair and replacement parts	4
Environmental protection/disposal	4
Staff qualifications	4
Limitation of liability	4
Personal protective equipment	4
Correct use	4
3. Transport, storage and packaging	5
Delivery check	5
Transporting on site	5
Storage	5
Packaging	5
4. Product description	5
Brief description	5
Dimensions	6
5. Technical data	6
6. Installation	7
Installation dimensions	7
Installation subframe	8/9
Initial commissioning	9
7. Maintenance	9
Maintenance and cleaning	9
1. General information	2
This installation manual describes the floor grille with installation subframe type:	
MR-BGU	
To ensure correct functioning of the floor grille with installation subframe, it is essential to read the provided installation manual before starting any work, and to comply with it.	
The manufacturer does not accept any liability for any malfunction or damage resulting from non-compliance with these instructions or non-compliance with relevant statutory regulations.	
This installation manual is intended for specialist consultants, developers, and system owners of the ventilation systems in which the duct nozzle diffuser is to be installed. This installation manual is also intended for people conducting the following work:	
- Transport and storage	
- Installation	
- Electrical connection	
- Commissioning	
- Maintenance	
- Cleaning	
Details about the MR-BGU:	
- Brochure L-03-2-01d	
The installation manual and the brochure can be downloaded from	
www.troxhesco.ch .	

Floor grille MR-BGU installation manual

2. Safety and correct use

General safety notes



VORSICHT!

Verletzungsgefahr an scharfen Kanten, Graten, spitzen Ecken und dünnwandigen Blechteilen!

- Bei allen Arbeiten vorsichtig vorgehen.
- Schutzhandschuhe, Sicherheitsschuhe und Schutzhelm tragen.



WARNUNG!

Verletzungsgefahr bei unzureichender Qualifikation!

Unsachgemässer Umgang kann zu erheblichen Personen- und Sachschäden führen.

- Alle Tätigkeiten nur durch dafür qualifiziertes Personal in der Gebäudetechnik-Branche durchführen lassen.



WARNUNG!

Gefahr durch Fehlgebrauch! Fehlgebrauch des Produktes kann zu gefährlichen Situationen führen.

Das Produkt darf nicht eingesetzt werden:

- in Ex-Bereichen.
- im Freien ohne ausreichenden Schutz gegen Witterungseinflüsse.
- in Atmosphären, die planmässig oder ausserplanmässig aufgrund chemischer Reaktionen eine schädigende und/oder Korrosion verursachende Wirkung auf das Produkt ausüben.



VORSICHT!

Beschädigung des Produktes durch unsachgemässe Behandlung! Gerät vor Inbetriebnahme auf Schäden und Verunreinigung prüfen und beheben!

Unsachgemässer Umgang kann zu erheblichen Sachschäden am Produkt führen.

- Keine säurehaltigen oder scheuernden Reinigungsmittel verwenden.
- Klebstoffe von Klebebändern können Farbschäden verursachen.
- Unverhältnismässige Feuchtigkeit kann zu Farbschäden und Korrosion führen.
- Nur ausdrücklich spezifizierte Reinigungsmittel, Fette und Öle benutzen.

Floor grille MR-BGU installation manual

Standards and guidelines

For all work on the floor grille, the following provisions and guidelines, among others, must be observed

- Product Safety Law (PrSG)
- EKAS provisions

The local regulations for health and safety at work and the general safety regulations also apply.

Repair and replacement parts

To maintain the function, use only original TROX HESCO Schweiz AG replacement parts.

Environmental protection/disposal

To protect the environment keep the following in mind:

- The packaging of the floor grille is to be disposed of in an environmentally friendly way

- The floor grille must be properly disposed of by an authorised agency after it has been finally shut down

Qualified staff

Specialist personnel

Specialist personnel are individuals who have sufficient professional or technical training, knowledge and actual experience to enable them to carry out their assigned duties, understand any potential hazards related to the work under consideration, and recognise and avoid any risks involved.

Limitation of liability

The information in this manual has been compiled with reference to the applicable standards and guidelines, the state of the art, and our expertise and experience of many years.

The manufacturer does not accept any liability for damages resulting from:

- Non-compliance of these instructions
- Improper use
- Operation or handling by untrained individuals
- Unauthorised modifications

The actual supply package may differ from the information in this manual for special versions, additional order options or as a result of recent technical changes.

Personal protective equipment must be worn for any work in order to reduce the risk of health or safety hazards.

The appropriate protective equipment for a job must be worn for as long as the job takes.

Industrial safety helmet



Industrial protective helmet must be worn to protect the head from falling objects, suspended loads and knocks against stationary objects.

Protective gloves



Protective gloves protect against cuts, abrasions, punctures, deep cuts, and direct contact with hot surfaces.

Safety shoes



Safety shoes protect against falling parts, and from slipping.

Correct use

The duct nozzle diffuser is suitable for installation in rooms with high room air change rates. They are freely attached to the ceiling.

Personal protective equipment

Floor grille MR-BGU installation manual

3. Transport, storage and packaging

Delivery check

Upon delivery, carefully remove the packaging and check the unit for transport damage and completeness. In case of any damage or an incomplete shipment, contact the shipping company and your supplier immediately. Put the product back into its packaging after the delivery check to protect it from dust and contamination.



Befestigungs- und Montagematerial

Befestigungs- und Montagematerialien sind, soweit nicht anders angegeben, kein Bestandteil der Lieferung und müssen bauseits, abgestimmt auf die jeweilige Einbausituation beigelegt werden.

Transport on site

Please note:

- When unloading the delivery and transporting on-site, proceed with care and observe the symbols and notices on the packaging.
- Devices should preferably be transported to the installation location in their packaging.
- Lifting and handling equipment with sufficient load capacity must be used for the transport.
- Always secure the load against tipping and falling.
- Cumbersome equipment should be transported with at least two people to prevent injury and damage.

Storage

Please note:

- Store the product only in its original packaging.
- Protect the product from the effects of weather.
- Protect the product from humidity, dust and contamination.
- Storage temperature: -10 °C to +30 °C.
- Relative humidity: 95% max., no condensation.

Packaging

Properly dispose of packaging material.

4. Product description

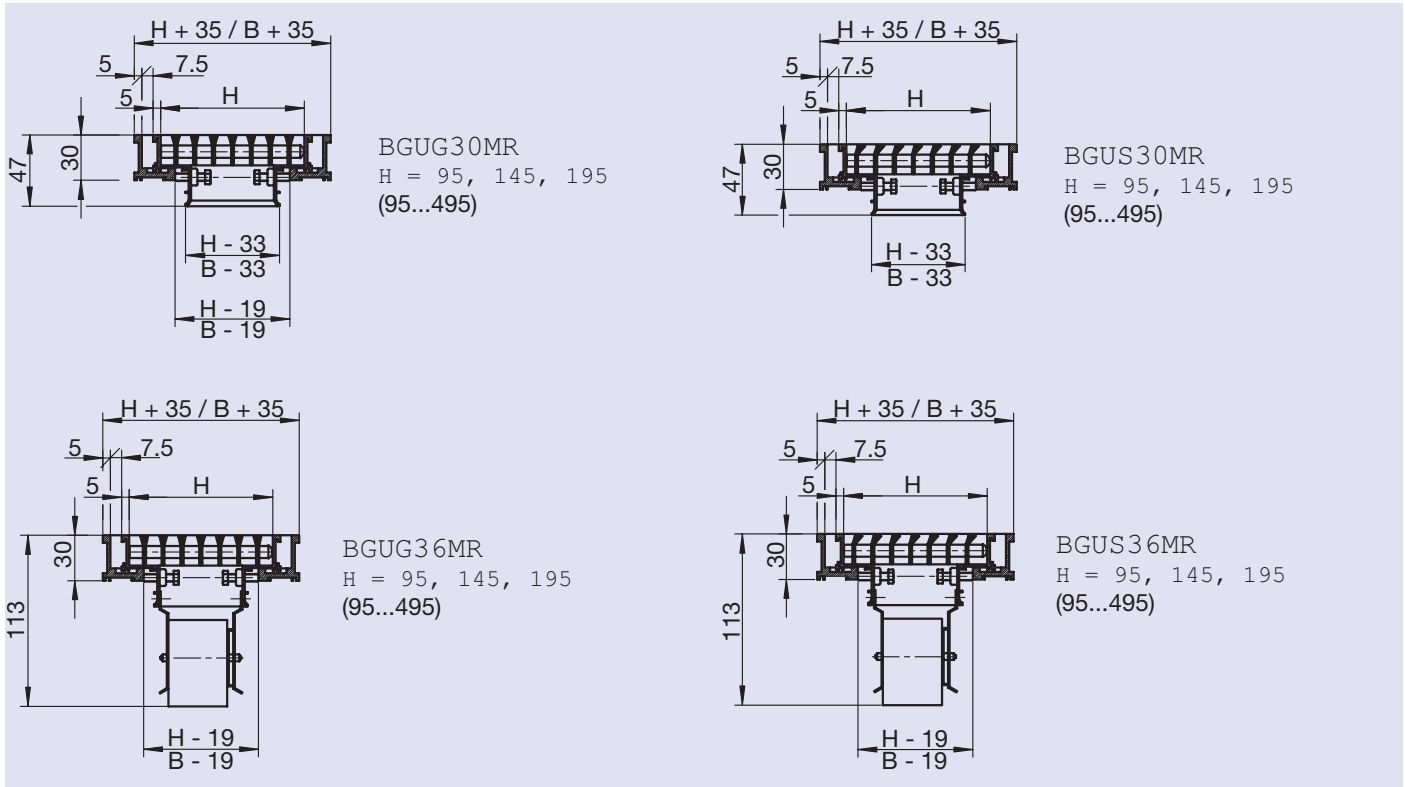
Brief description

The light metal floor grilles are well-designed, accessible air terminal devices consisting of an outer frame with an inner grille core. This is fixed with plastic buffers.

Floor grille MR-BGU installation manual

Dimensions

B = Nominal width = Frame dimension in the light
 H = Nominal height = Frame dimension in light
 Free area = ~63%



Floor grilles – belts
 Lengths of more than 2000 mm will be delivered as single units.

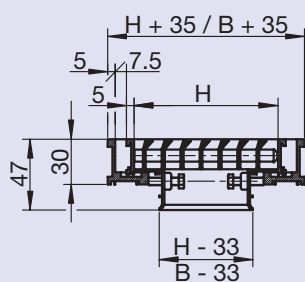
5. Technical data

Details on the BG:
 - Brochure L-03-2-01d

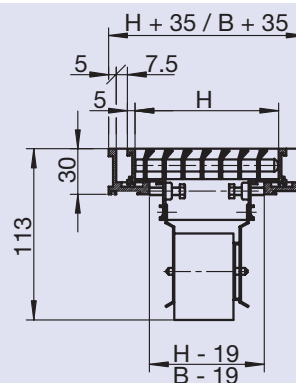
Floor grille MR-BGU installation manual

6. Assembly

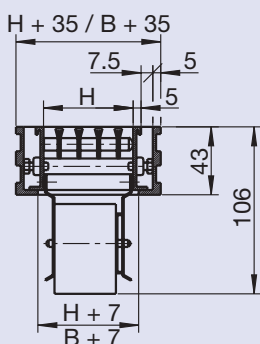
Installation dimensions



BGUS30MR
H = 95, 145, 195
(95...495)



BGUS36MR
H = 95, 145, 195
(95...495)



BGFG36MR
H = 57 mm
(32...82)

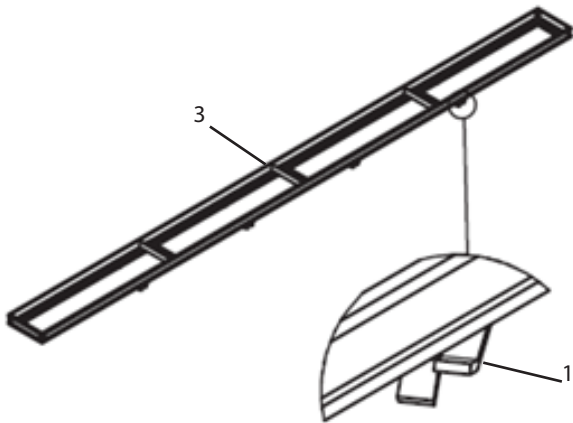
The fixing tab is only supplied in lengths from 600 mm.

Floor grille MR-BGU installation manual

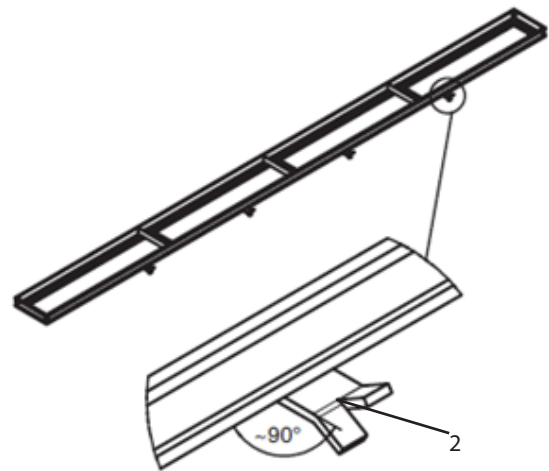
Installation subframe

The fixing tabs on the installation subframe must be turned to 90° before they are concreted-in

1) Delivery position



2) Turn fixing tab to 90°

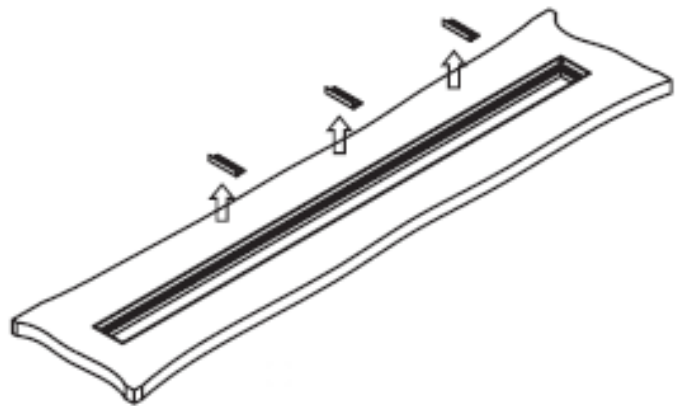


3) The cross struts are removed after they have been concreted-in. They serve the stability of the installation subframe during the concreting process.

4) Concreting-in the installation subframe

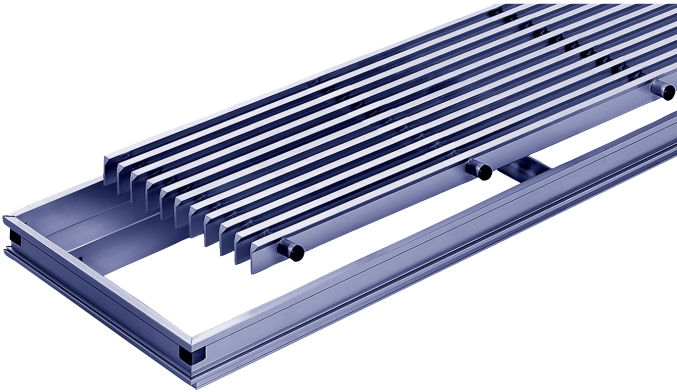


5) Removing the cross struts (after the concrete has hardened)



Floor grille MR-BGU installation manual

6) Inserting the floor grille



Den Frontdurchlass möglichst erst nach Abschluss aller Bautätigkeiten auspacken und montieren um Beschädigungen der Oberfläche zu verhindern.

Bei längeren Zeiträumen zwischen Montage und Inbetriebnahme alle Gehäuseöffnungen verschliessen, z.B. mit Folie abkleben, um aufwendige Reinigungsarbeiten zur Inbetriebnahme des Gerätes zu vermeiden.

Initial commissioning

Before you start commissioning:

- Check that the air terminal devices are seated correctly.
- Remove protective film.
- Ensure that all air terminal devices are clean and free from residues and foreign matter.
- Check that the electrical connections have been correctly assembled.
- Check that the fixing and connection with the air duct is correct.

7. Maintenance

Maintenance and cleaning

Please note:

- Clean surfaces with a damp cloth.
- Only use commercially available, non-corrosive cleaning agents for cleaning.
- Do not use cleaning agents that contain chlorine.
- The use of cleaning tools for removing persistent contamination, e.g. abrasive sponges and liquid abrasive cleaner, can damage the surface and is not permitted.
- All technical components can be replaced if defective.